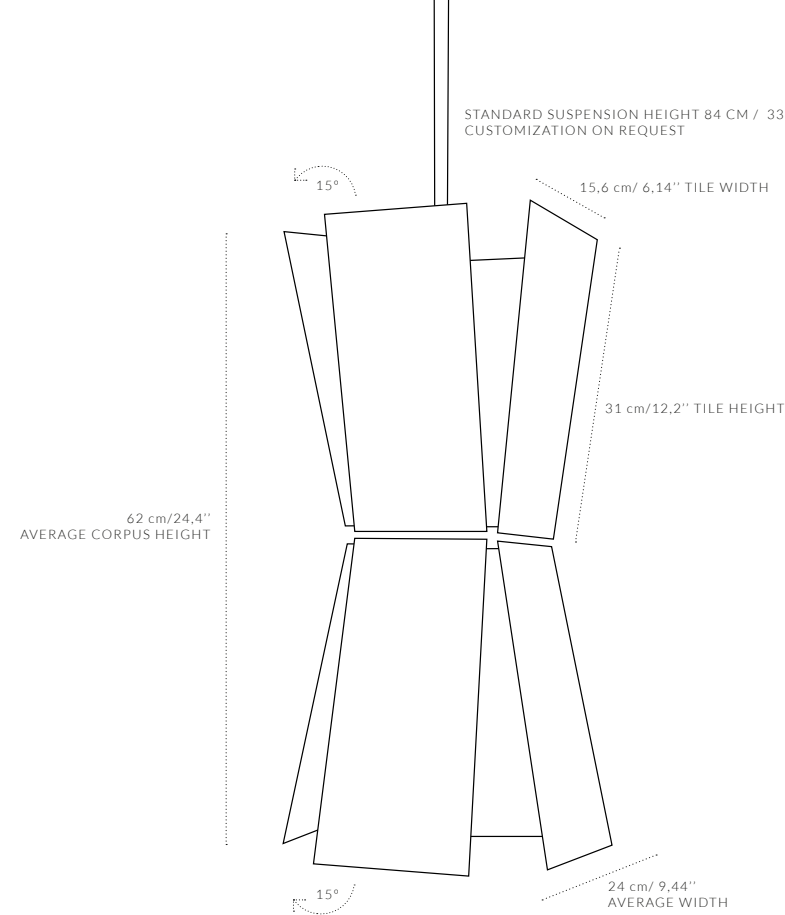


EDITION FOUR SLATE

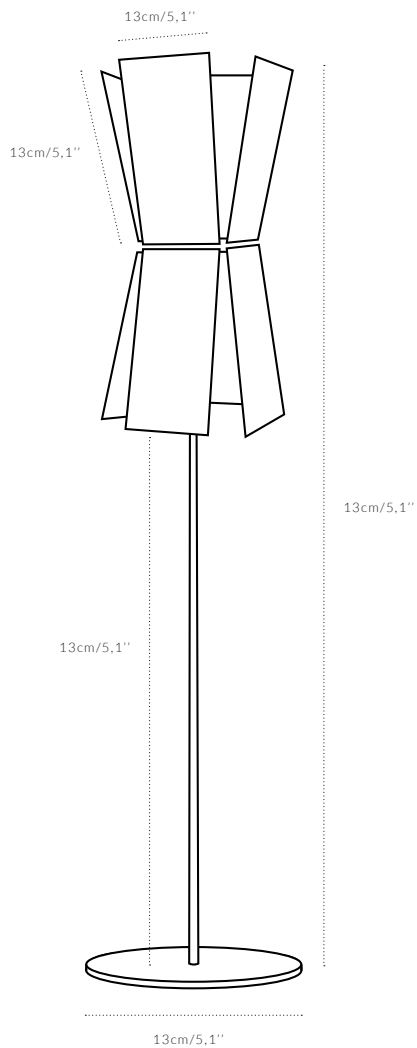
spolia.



EDITION FOUR SLATE_CEILING LAMP | **LIMITED TO** 35 PIECES | **DESIGNER** CARL AUBÖCK
DIAMETER 24 cm / 29" **HEIGHT** 84 cm / 18.7" **ELECTRIFICATION** 230 V EU / OPTIONAL 120 V US WIRING
MATERIAL 19TH CENTURY SLATE ROOF TILES AND BRASS

LEAD TIME & PAYMENT DETAILS APPROXIMATELY 6-8 WEEKS. MANUFACTURED UPON ORDER,
FINISHED AND ASSEMBLED BY HAND IN VIENNA FROM ANTIQUE AND MODERN COMPONENTS.
50% DEPOSIT REQUIRED. BALANCE DUE PRIOR TO SHIPPING. DISCOUNT SCHEMES AVAILABLE. CUSTOMIZATION AVAILABLE.
EURO PRICES INCLUDING 20% AUSTRIAN VAT, ALL PRICES EXCLUDING IMPORT DUTIES & SHIPPING.

PRICE EURO 5.600.- / 5.250.- USD NET PRICE

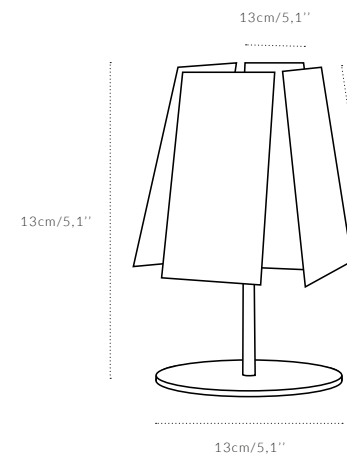


EDITION FOUR SLATE_FLOOR LAMP

DIAMETER 24 cm / 29" **HEIGHT** 84 cm / 18.7"

DETAILS SEE ABOVE

PRICE EURO 5.600.- / 5.250.- USD NET PRICE



EDITION FOUR SLATE_TABLE LAMP

DIAMETER 24 cm / 29" **HEIGHT** 24 cm / 9.4"

DETAILS SEE ABOVE

PRICE EURO 2.200.- / 2.500.- USD NET PRICE